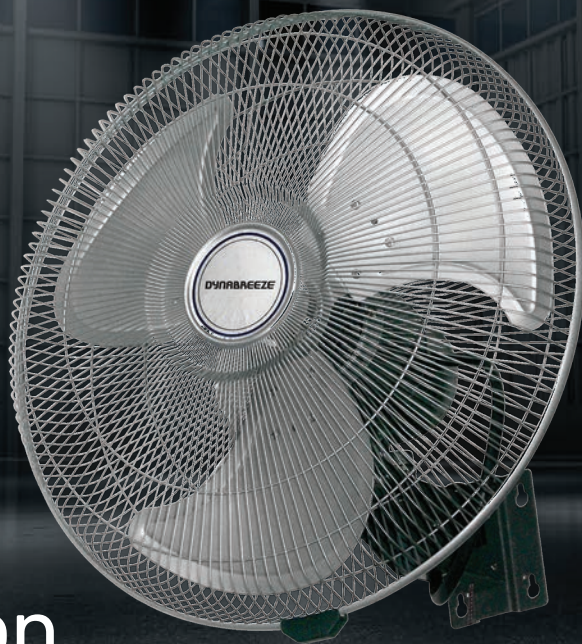


DYNABREEZE

TRADE QUALITY SINCE 1995

INDUSTRIAL 450MM
WALL FAN

FACTORY
3 YEAR
WARRANTY



MODEL FA-23181

Instruction
User Manual
& Warranty



CAUTION: Read the Assembly & Safety Instructions before operating and retain for future reference

Thank you & Congratulations on the purchase of your Dynabreeze Industrial 450mm Wall Fan

To find out more information on this product,
please visit www.dynabreeze.com.au or contact:

Tradeware

Address 45 Birralelee Rd, Regency Park SA 5010
Phone AU 1300 658 494 NZ 0800 689 960
Email info@tradeware.com.au
Website www.tradeware.com.au

SPECIFICATIONS

| | |
|----------------|------------------------|
| Model | FA-23181 |
| Voltage | 220-240V |
| Frequency | 50Hz |
| Motor Power | 120W |
| Air Volume | 120m ³ /min |
| Max Speed | 1350 RPM |
| Fan Speed | 3 |
| Diameter | 450mm |
| Product Weight | 8.5KG |



OPERATION CONDITIONS & SAFETY PRECAUTIONS

WARNING: When using electrical appliances, basic safety precautions should be followed to reduce the risk of fire, electric shock and injury to persons or property.

- To avoid a hazard due to instability of the appliance, it must be placed on an even, flat surface.
- Do not operate this appliance with a damaged cord or plug after the appliance has been damaged in any manner.
- Before each use, check for any damaged parts, and have it replaced or repaired by the manufacturer or a qualified electrician.
- Connect to properly grounded power outlet only. No other appliance should be plugged into the same outlet.
- Do not run the power cord over carpeting or other heat insulators. Do not cover the cord. Keep cord away from traffic areas.
- Switch off and unplug the appliance before moving, cleaning or making any repairs or servicing.
- Keep safety guards/grilles in place and do not operate the machine with them removed.

WARNING: Touching of moving blades can cause serious injury.

- Do not insert fingers or anything through the grille.
- Do not wear jewellery or loose clothing that could be caught by the rotating blades.

- Never leave the appliance running unattended, turn the power off.

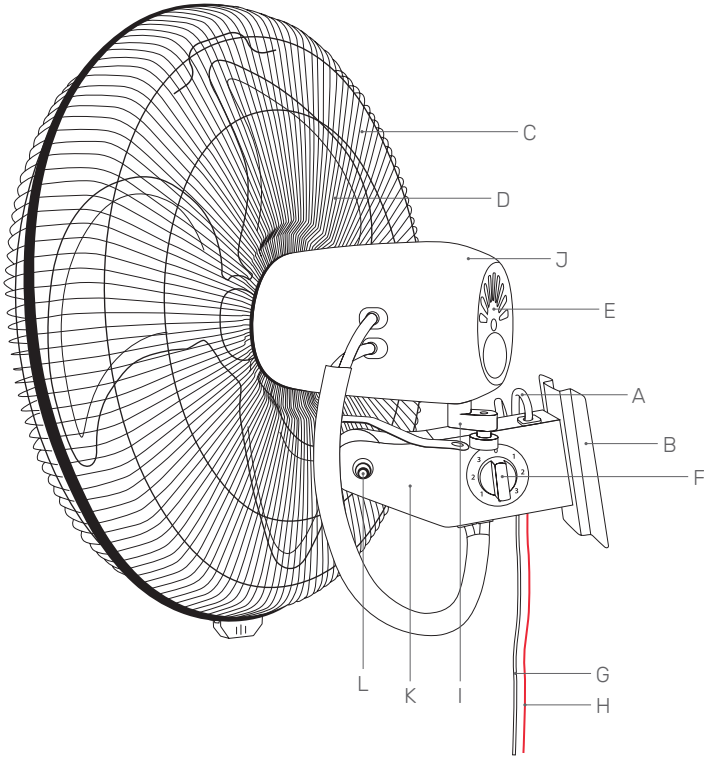
WARNING: Exercise caution and use reasonable supervision when appliance is used near children to ensure that they do not play with the appliance.

- This appliance is not intended for use by persons (including children) with reduced physical, sensory or mental capabilities, or lack of experience and knowledge.
- Keep the area around the fan clear and suitable distance from objects that may be suctioned into the fan.
- Pack away in a dry place in the original carton when not in use.

WARNING: Do not use the appliance in a bathroom or in the immediate surroundings of a bath, a shower or a swimming pool. Keep all parts away from water or any other liquids.

CLEANING: Turn off, remove any dust build up with a soft brush, wipe the surface of the unit with a damp soft cloth using a mild detergent (no harsh chemicals).

PARTS IDENTIFICATION

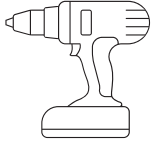


| | | | |
|---|---------------------------------------|---|-------------------------------|
| A | Power Cord | H | Red Cord: Oscillation Control |
| B | Wall Mount Plate | I | Oscillation Arm |
| C | Safety Grille | J | Motor Head |
| D | Fan Blade | K | Motor Neck |
| E | Electric Motor | L | Tilt Adjustment |
| F | Speed Control Dial | | |
| G | White Cord: On/Off Speed Control Cord | | |

ASSEMBLY & OPERATION

Tools required

Drill



Assembling the fan

1. Locate the bag that contains the wall mounting hardware.
2. Select location to place it on the wall.

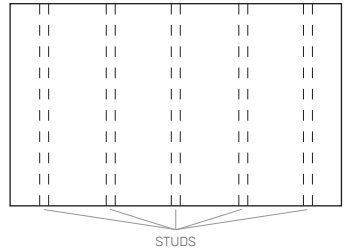
NOTE: Ensure power supply is nearby and power cord is not too tight or in a position to interfere with oscillating function.

3. Ensure the wall is suitable to support the fan:
 - If mounting to a plastered wall, then the wall mount must be fitted to a stud behind the plaster wall using the screws provided.
 - If mounting to a brick or masonry wall, ensure plugs and screws used are suitable.
 - Suitable fixings must be used and must support a minimum of 8.5kg. Always check the suitability of plugs and screws for installation before use.

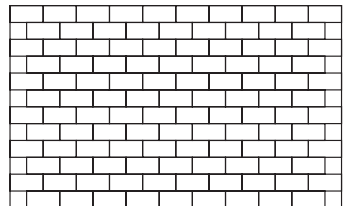
NOTE: The fan must be mounted vertically.

TIP: To assist in mounting the fan, a wall mounting drilling diagram is provided on the last page of this manual. Pre-drilling and fixing the mounting screws can be performed without having to hold the fan in place.

PLASTER

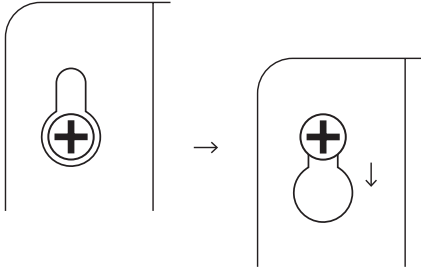


BRICK/
MASONRY

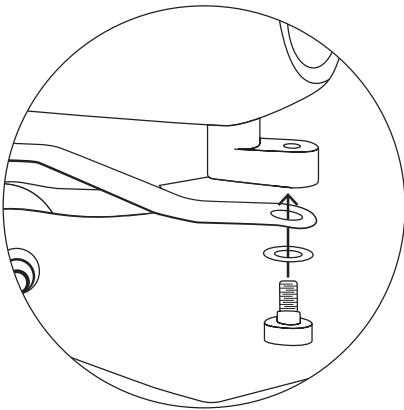


Assembling the fan cont.

- Once the 4 fixings are in place, mount the fan over the screw heads and slide down into position so the screw heads do not slip out of the mounting bracket hole.



- Unscrew the large gold bolt from the oscillation arm, line up the connecting rod and re-insert the washer and bolt back into the arm.



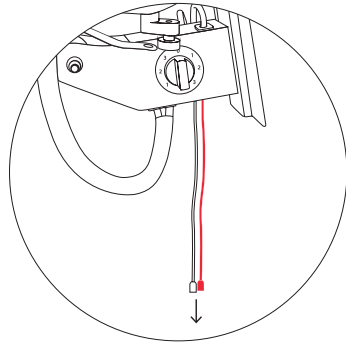
Operating the fan

After reading these instructions, plug the power cord into the power outlet.

The fan can be turned on by pulling down on the white cord. Pulling once will turn the control knob to speed 1, pull again for speed 2 and again for speed 3. The fourth pull will turn the fan off and go back to 0.

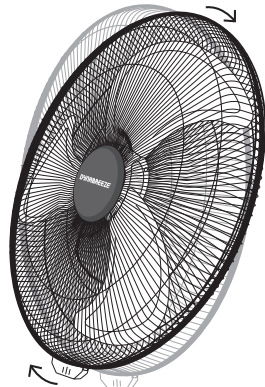
Oscillation

Pull on the red cord once to oscillate and a second time to stop oscillation.



Adjustments: Vertical Tilt Adjustment

Grip the top and bottom of the grille firmly and tilt to the desired position. If too difficult, loosen the centre bolt slightly to give more flexibility and re-tighten.



WARRANTY

Under the Australian Consumer Law (ACL) or NZ Consumer Guarantees Act (CGA), you are entitled to a 12 month replacement or refund for product failure and compensation for any other reasonably foreseeable loss or damage.

Tradeware offers a **3 Year Warranty**. The additional warranties, terms and conditions are outlined on the website www.dynabreeze.com.au under the Support tab.

Under Support you can also **Register your product** upon purchase and enjoy the peace of mind of knowing your product is registered should anything happen.

If the unit fails to operate efficiently, is broken or other problems arise, unplug and do not operate. Ask for advice by calling Tradeware.

To Claim, the fan should be returned to the place of purchase or via the website within the warranty period.

Such claims must include:

- Details of the alleged defect or fault;
- Evidence of the claim; and
- Proof of purchase documentation which clearly shows the date and place of purchase.

Please visit www.dynabreeze.com.au for more details



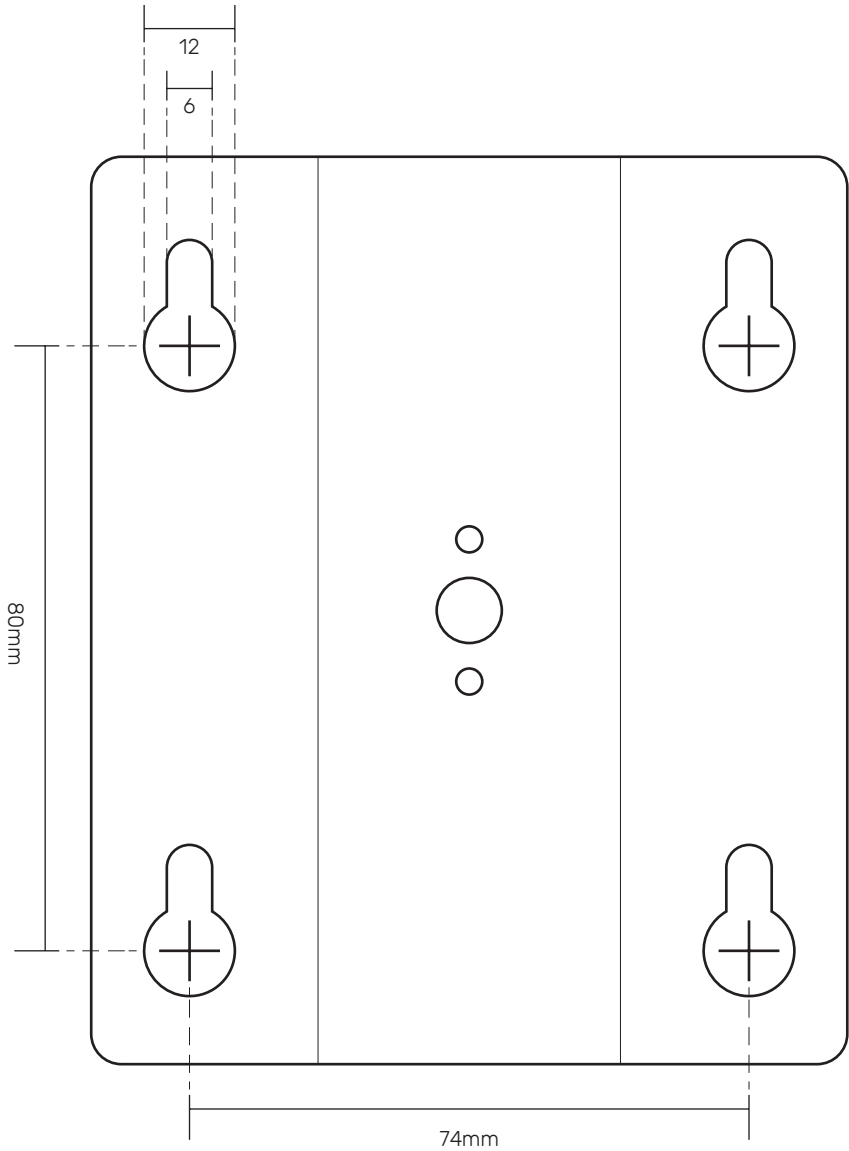
Tradeware

Tradeware

45 Birralee Road, Regency Park
South Australia 5010
info@tradeware.com.au
1300 658 494

www.tradeware.com.au

Wall Mounting - Drilling Diagram



Cut out this diagram to use as a drilling guide