

DYNABREEZE

TRADE QUALITY SINCE 1995

3kW INDUSTRIAL
ELECTRIC HEATER



MODEL HE-51030

Instruction User Manual & Warranty



Not for domestic use
3 pin - 15 amp plug required

CAUTION: Read the Assembly & Safety Instructions before operating and retain for future reference





Thank you & Congratulations on the purchase of your Dynabreeze Industrial 3kW Electric Heater

To find out more information on this product,
please visit www.dynabreeze.com.au or contact:

Tradeware

Address 45 Birralee Rd, Regency Park SA 5010
Phone AU 1300 658 494 NZ 0800 689 960
Email info@tradeware.com.au
Website www.tradeware.com.au

SPECIFICATIONS

Model	HE-51030
Voltage	220-240V
Frequency	50Hz
Heat Output	1.5kW/3kW 10,236 BTU
Air Flow (L/s)	183
Plug	3 pin 15 amp
Settings (KW)	Fan/1.5/3
Unit Dimensions	L 320 x W 300 x H 440
Product Weight	5.6KG



OPERATION CONDITIONS & SAFETY PRECAUTIONS

WARNING: When using electrical appliances, basic safety precautions should be followed to reduce the risk of fire, electric shock and injury to persons or property.

WARNING: Not for domestic use - 3 PIN - 15 amp plug.

- Please read instructions carefully.
- Place user manual in a safe place for future reference. Do not allow anyone who has not read these instructions to assemble, adjust or operate this Heater.
- Failure to comply with the precautions and instructions provided with this Heater, can result in death, serious injury and property loss or damage from hazards of fire, explosion, burn, and/or electrical shock.
- Only persons who can understand and follow the instructions should use or service this Heater. If you need assistance or require heater information such as an instruction manual, labels, etc., contact Tradeware.
- Fire, burn, inhalation, and explosion hazard. Keep solid combustibles, such as building materials, paper or cardboard, a safe distance away from the Heater as recommended by the instructions. Never use the Heater in spaces which do or may contain volatile or airborne combustibles, or products such as gasoline, petrol, flammable vapours or liquids, solvents, paint thinner, dust particles or unknown chemicals.
- The electrical system to which the appliance is connected must comply with local regulations.
- Connect to properly grounded power outlet only. No other appliance should be plugged into the same outlet.
- Always check the power cord before using the appliance. It must not be bent, taut, stretched, crushed or any way damaged.

- If the power cord and/or plug is damaged, it must be replaced by Tradeware, a service agent or a qualified persons.
- Do not run power cord over carpeting or other heat insulators. Do not cover the cord, keep cord away from traffic areas.
- If an extension cord is used, it must not be longer than 2m.
- Do not cover the fan Heater.

WARNING: The front outlet is very hot during operation. Do not touch! Burn danger.

- Do not leave Heater unattended when in use.
- Never use Heater with wet hands or when either the Heater or power cord is wet.
- Children should be supervised to ensure that they do not play with the Heater.
- The Heater is not intended for use by persons (including children) with reduced physical, sensory or mental capabilities, or lack of experience & knowledge.
- Do not connect an external on/off timer or other automatic switch.
- Switch off and unplug Heater before moving, cleaning or making any repairs or servicing.
- Keep safety guards/grilles in place and do not operate the machine with them removed.

WARNING: Touching of moving blades can cause serious injury.

- Do not insert fingers or anything through the grille.
- Do not wear jewellery or loose clothing that could be caught by the rotating blades.

PARTS IDENTIFICATION



- A Carry Handle
- B Settings Switch
- C Thermostat Dial
- D Elements
- E Front Grille
- F Steel Frame

CONTROL PANEL



- Left Knob: Settings switch
- Right Knob: Thermostat dial

The settings switch (left knob) has 3 settings and 4 positions:

- OFF
- 1st setting: FAN ONLY
- 2nd setting: Heating 1.5 kW
- 3rd setting: Heating 3 kW

The adjustable thermostat control (right knob) can be turned 0 to 310 degrees - you can control the room temperature between 0~40°C.

TIPS:

- This Heater won't heat up a large or open workshop or warehouse. It is ideal for personal heating like in a small space such as an office, lunch room or showroom.
- Where possible, a nice enclosed environment will get the best performance from this Heater.

ASSEMBLY & OPERATION

First time use, you may notice a slight emission of smoke. This is quite normal & it will stop after a short time. The heating element is coated with a protection oil.

- This Heater is pre-assembled.
- Position the Heater so it stands upright & is on a firm surface and at a safe distance from wet environments and flammable objects.
- Connect the plug to the relevant power source.
- Set the thermostat dial (right knob) to MAX & settings switch (left knob) to the highest setting and let the Heater operate on full power for 5 to 10 minutes.
- Adjust the thermostat dial (right knob) to the required temperature.
- Once the room reaches the required temperature, the heating element will cut-out. Once the ambient temperature decreases, the heating element will cut back in. The fan Heater now starts and stops automatically and thus keeps the room temperature constant.
- Before switching off the Heater, please turn the thermostat to the MIN position & turn the switch to fan position. Allow the appliance to cool down for two minutes and then turn off the Heater and pull out the plug.

DO NOT TURN THE HEATER OFF FROM THE POWER SOURCE UNTIL AFTER COOLING THE HEATER DOWN.

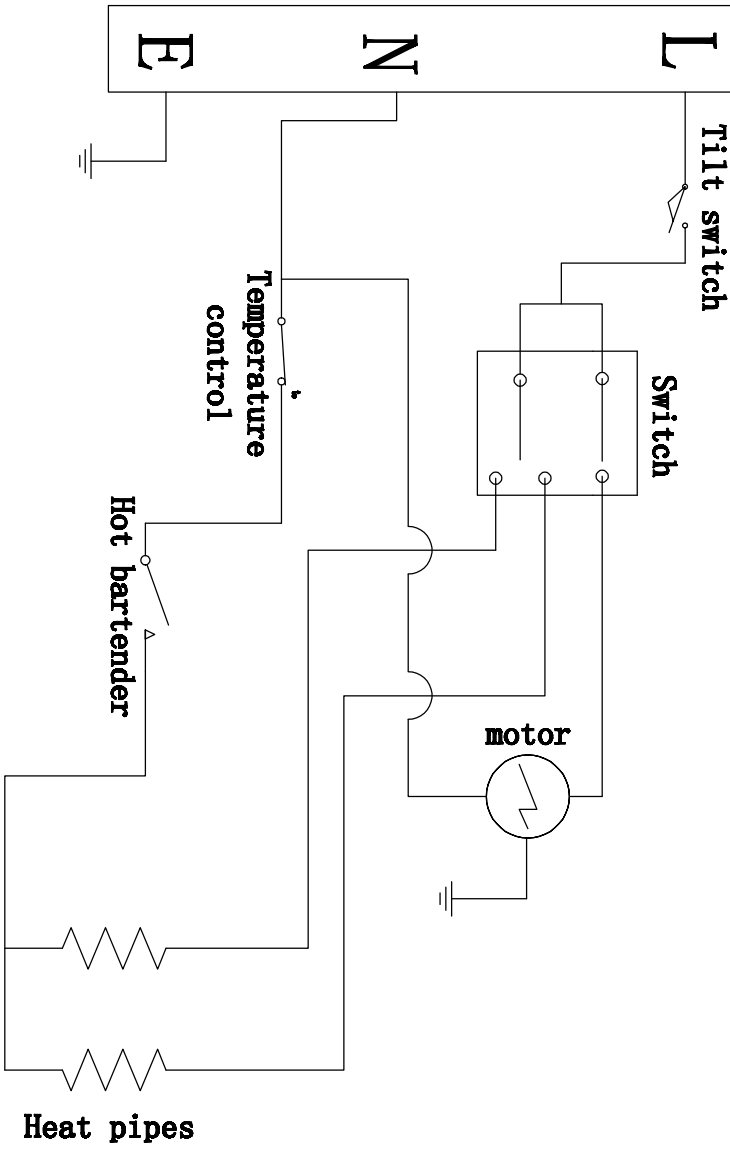
CLEANING, MAINTENANCE & STORAGE

- Before starting any maintenance task, shut down, unplug and let the Heater cool down for at least 15 minutes.
- Do not attempt any electrical repair yourself. If the Heater needs service or repair, contact Tradeware or a qualified person.
- When cleaning, make sure that water does not enter the unit.
- Do not open the enclosure to clean the inner parts. Do not spray water into the Heater.
- Never use solvents, gasoline, toluene and similar aggressive chemicals to clean the Heater.

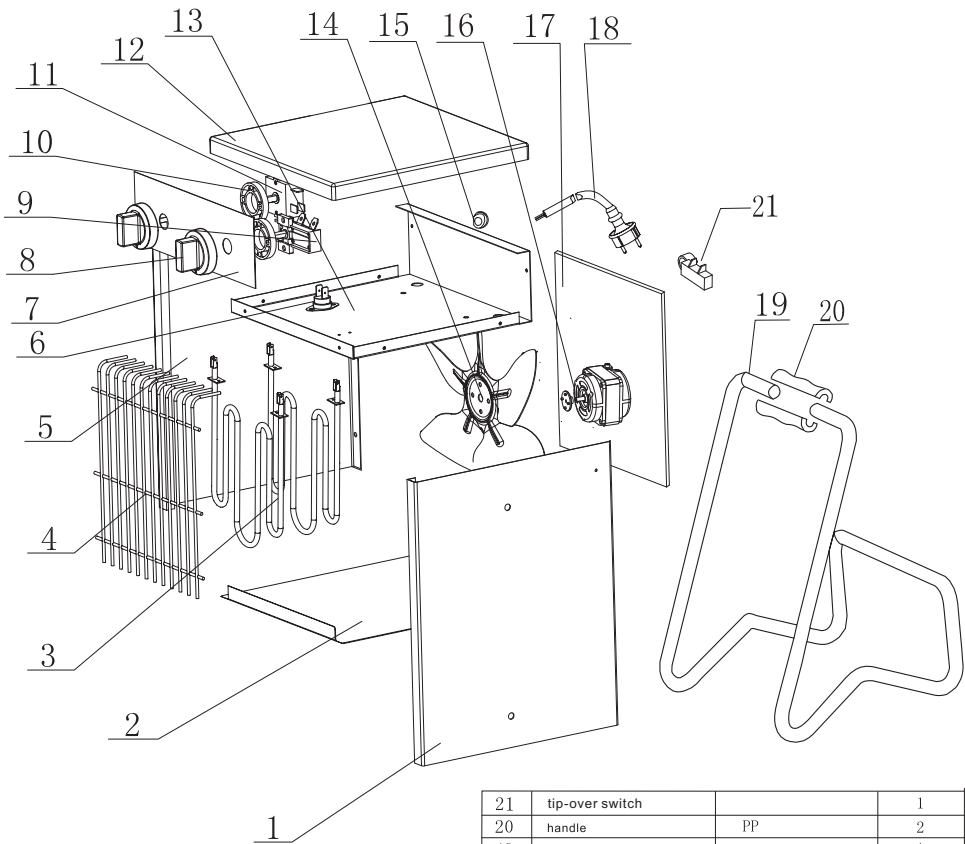
Regularly wipe the enclosure using a soft sponge or cloth. For very dirty parts, use a lukewarm moist sponge and a mild detergent and dry using a clean cloth. Regularly inspect the power cable: if worn, cracked or damaged have it replaced by a qualified persons only.

Before storing the Heater, make sure it is perfectly cool and dry. Cover the unit with a blanket or tarp and store in a dry, ventilated place.

WIRING DIAGRAM



PARTS BREAKDOWN



21	tip-over switch		1
20	handle	PP	2
19	Iron handle		1
18	Power Cord and plug	3*1.5mm ²	1
17	Back Grill	Iron	1
16	Motor	YZF482175A	1
15	Cable lock		1
14	Fan	Al	1
13	Middle Panel	Iron	1
12	Top Cover	Iron	1
11	Switch	250V16A	1
10	Waterproof Ring	PA	2
09	Thermostat	230V/16A/85°C	1
08	Knob	PA	2
07	Control Panel	Iron	1
06	Thermal cut-out	230V/16A/85°C	1
05	Left Side Cover	Iron	1
04	Front Grill	Wire steel	1
03	Heating Element	240V 1500W	2
02	Bottom Cover	Iron	1
01	Right Side Cover	Iron	1

TROUBLESHOOTING

ISSUE	CAUSE	FIX
The Heater does not operate, even when it is plugged in & the switch and thermostat are both ON.	The plug is loose - bad connection.	Disconnect the plug, check the connection of the plug and socket. Try another socket.
The heating element is glowing.	The input voltage is too high or too low.	Check power supply.
	The air inlet grille is blocked.	Do not block the Heater, keep away from articles like curtains, plastic bags, paper and other things which can cover the inlet.
The Heater doesn't heat up, only the fan.	The switch was not put on heat setting.	Turn the switch to heat setting.
	Thermostat in operation (ambient temperature achieved or overheating).	Turn the thermostat knob and listen for a click. If there is no click and the thermostat is not damaged, the Heater will automatically switch on when the Heater has cooled down.
	The self-resetting thermostat in operation (overheating).	Turn the Heater off and inspect the blockage of inlet or outlet. Disconnect the plug and wait at least 10 minutes for the protection system to reset before attempting to restart the Heater.
Abnormal noise.	Uneven ground or stand not in upright position.	Place Heater on a level surface and/or correct stand position.

WARRANTY

Under the Australian Consumer Law (ACL) or NZ Consumer Guarantees Act (CGA), you are entitled to a 12 month replacement or refund for product failure and compensation for any other reasonably foreseeable loss or damage.

Tradeware offers a 3 Year Warranty. The additional warranties, terms and conditions are outlined on the website www.dynabreeze.com.au under the Support tab.

Under Support you can also **Register your product** upon purchase and enjoy the peace of mind of knowing your product is registered should anything happen.

If the unit fails to operate efficiently, is broken or other problems arise, unplug and do not operate. Ask for advice by calling Tradeware.

To Claim, the Heater should be returned to the place of purchase or via the website within the warranty period.

Such claims must include:

- Details of the alleged defect or fault;
- Evidence of the claim; and
- Proof of purchase documentation which clearly shows the date and place of purchase.

Please visit www.dynabreeze.com.au for more details



Tradeware

Tradeware

45 Birralee Road, Regency Park
South Australia 5010
info@tradeware.com.au
1300 658 494
www.tradeware.com.au

Due to continual product development, please note the information and content provided may not be final and may be subject to changes.



Please
Recycle