

# DYNABREEZE

TRADE QUALITY SINCE 1995

IP65 DUST & WATER RESISTANT

## INDUSTRIAL OUTDOOR 400MM PEDESTAL FAN

FACTORY  
3 YEAR  
WARRANTY



MODEL FA-26144

## Instruction User Manual & Warranty



**CAUTION:** Read the Assembly & Safety Instructions before operating and retain for future reference



# Thank you & Congratulations on the purchase of your Dynabreeze IP65 Dust & Water Resistant Industrial Outdoor Pedestal Fan

To find out more information on this product,  
please visit [www.dynabreeze.com.au](http://www.dynabreeze.com.au) or contact:

## Tradeware

Address 45 Birrallee Rd, Regency Park SA 5010  
Phone AU 1300 658 494 NZ 0800 689 960  
Email [info@tradeware.com.au](mailto:info@tradeware.com.au)  
Website [www.tradeware.com.au](http://www.tradeware.com.au)

## SPECIFICATIONS

Model	FA-26144
Voltage	110-240
Frequency	50/60Hz
Motor Power DC	40W
Max Speed	1250rpm
Fan Speeds	12
Wind Modes	3: Normal, Natural, Sleep
Timer	1-9hrs
Diameter	40cm
Product Weight	10.6kg



## OPERATION CONDITIONS & SAFETY PRECAUTIONS

**WARNING:** When using electrical appliances, basic safety precautions should be followed to reduce the risk of fire, electric shock and injury to persons or property.

**PLUGGING IN OUTSIDE:** This fan can only be plugged into a 10 amp waterproof outdoor power point which will have a water tight cover - it is never to be plugged into a non waterproof power point when used outside.

**NOTE:** Always engage an electrician to install a waterproof outdoor power point.

- To avoid a hazard due to instability of the appliance, it must be placed on an even, flat surface.
- Do not operate this appliance with a damaged cord or plug after the appliance has been damaged in any manner.
- Before each use, check for any damaged parts, and have it replaced or repaired by the manufacturer or a qualified electrician.
- Connect to properly grounded power outlet only. No other appliance should be plugged into the same outlet.
- Do not run the power cord over heat insulators. Do not cover the cord. Keep cord away from traffic areas.
- Switch off and unplug the appliance before moving, cleaning or making any repairs or servicing.
- Keep safety guards/grilles in place and do not operate the machine with them removed.

**WARNING:** Touching of moving blades can cause serious injury.

- Do not insert fingers or anything through the grille.

- Do not wear jewellery or loose clothing that could be caught by the rotating blades.
- Never leave the appliance running unattended, turn the power off.

**WARNING:** Exercise caution and use reasonable supervision when appliance is used near children to ensure that they do not play with the appliance.

- This appliance is not intended for use by persons (including children) with reduced physical, sensory or mental capabilities, or lack of experience and knowledge.
- Keep the area around the fan clear and suitable distance from objects that may be suctioned into the fan.

### Taking care of your Pedestal fan

To keep your wall fan in its best condition and to protect as much as possible from exposure to moisture in the air, dust and possible rusting, we highly recommend when your fan is not in use that you wipe it dry with a cloth to ensure no water remains and place a cover over it. It can also be brought inside and stored away in a safe dry place.

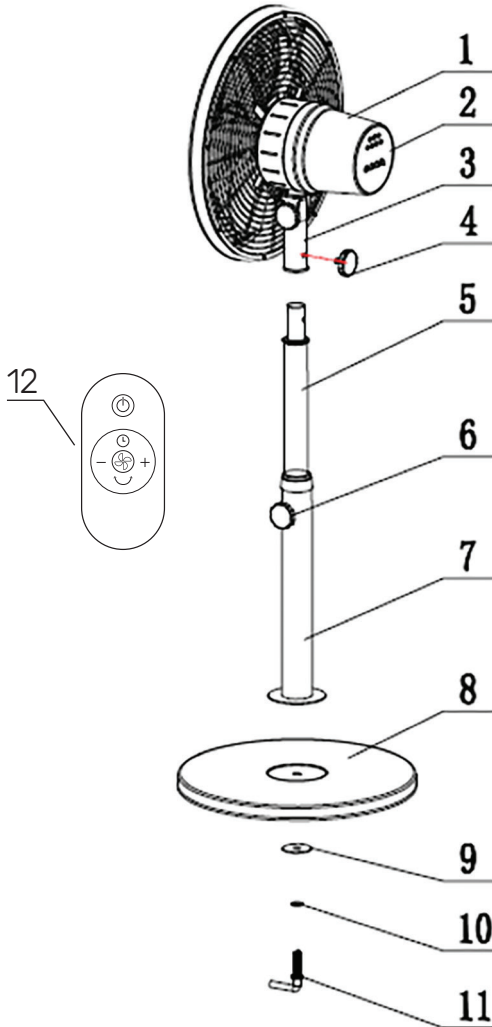
## OPERATION CONDITIONS & SAFETY PRECAUTIONS

This fan is IP65 classified, which means it is dust tight and has protection against hosing jets of water from all directions. This fan is not protected from being immersed in water.

See the Ingress Protection (IP) Rating Guide below for more information.

SOLIDS	WATER
<b>1</b> Protected against a solid object greater than 50 mm such as a hand.	<b>1</b> Protected against vertically falling drops of water. Limited ingress permitted.
<b>2</b> Protected against a solid object greater than 12.5 mm such as a finger.	<b>2</b> Protected against vertically falling drops of water with enclosure tilted up to 15 degrees from the vertical. Limited ingress permitted.
<b>3</b> Protected against a solid object greater than 2.5 mm such as a screwdriver.	<b>3</b> Protected against sprays of water up to 60 degrees from the vertical. Limited ingress permitted for three minutes.
<b>4</b> Protected against a solid object greater than 1 mm such as a wire.	<b>4</b> Protected against water splashed from all directions. Limited ingress permitted.
<b>5</b> Dust Protected. Limited ingress of dust permitted. Will not interfere with operation of the equipment. Two to eight hours.	<b>5</b> Protected against hosing jets of water from all directions. Limited ingress permitted.
<b>6</b> Dust tight. No ingress of dust. Two to eight hours.	<b>6</b> Protected against strong jets of water from all directions. Limited ingress permitted.
<b>IP 6 5</b>	<b>7</b> Protected against effects of immersion in water between 15 cm and 1 m for 30 minutes.
	<b>8</b> Protection against the effects of immersion in water under pressure for long periods.

## PARTS IDENTIFICATION



- 
- 1 Motor Head
  - 2 Control Panel
  - 3 Motor Neck
  - 4 Neck Screw
  - 5 Inner Tube
  - 6 Height Adjustment Knob
  - 7 Outer Tube
  - 8 Base
  - 9 Washer
  - 10 Ring
  - 11 Base Locking Screw
  - 12 Remote Control

## ASSEMBLY & OPERATION

### No tools required

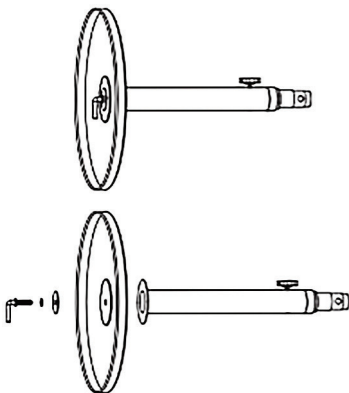
### Assembling the fan

#### Fan Body & Motor

1. Unpack contents from the box and check all parts are included.
2. Remove the base locking screw, ring and washer from the bottom of the outer tube.



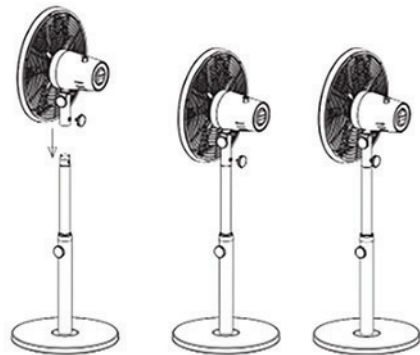
3. Hold the base on its side to insert the bottom of the outer tube into the centre of the base.



4. From underneath the base, re-insert the washer, ring and base locking screw.
5. Loosen the height adjustment knob and pull the inner tube out to the desired height and re-tighten.



6. Loosen the neck screws on the motor neck and slide it over the inner tube, aligning one of the screws to the hole and re-tighten.

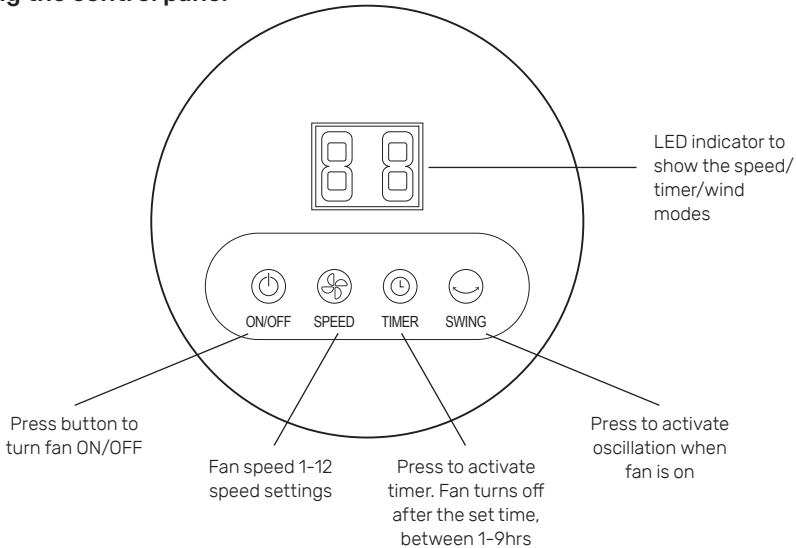


The fan assembly is now complete.

## Operating the fan

The fan can be operated using the control panel on the unit, using the remote control or using the Smart Life app on your phone.

### Operating the control panel



### Operating the remote

Remove the protective film strip from remote to activate battery. If there is no battery, insert a new one, CR2032.

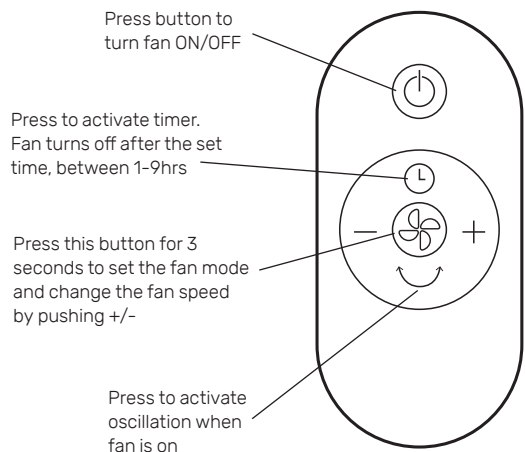
To sync remote to the unit, turn the unit on. For 2 seconds push the timer and swing button together until you hear a beep sound.

Then push the on/off button on the remote and it is now ready to use.

If it fails, the above steps may need to be repeated as sometimes the signal is not strong enough.

Modes: natural, normal, sleep

**NOTE:** modes can only be operated with remote control or app - not on the unit itself.





## Operating with Wi-Fi

To pair the unit with your Wi-Fi please complete the following steps:

### 1. Download app

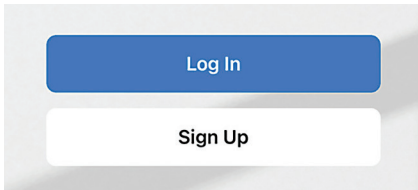
Download and install the app 'Smart Life' from the App store (iOS) or Play store (Android).



### 2. Create account or login

Create a new account if you are a new user. Follow the prompts to set-up and complete your account.

Login with your account details if you have an existing account.

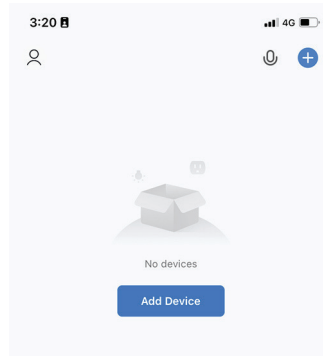


**NOTE:** You must agree with the Privacy Policy in order to use the app.

### 3. Pairing a device

Turn on bluetooth and ensure you're connected to Wi-Fi 2.4Ghz.

Open the app and tap 'add device'



Power on the fan and push on/off button for 5 seconds – you should see the fan appear on the app after hearing a beep.

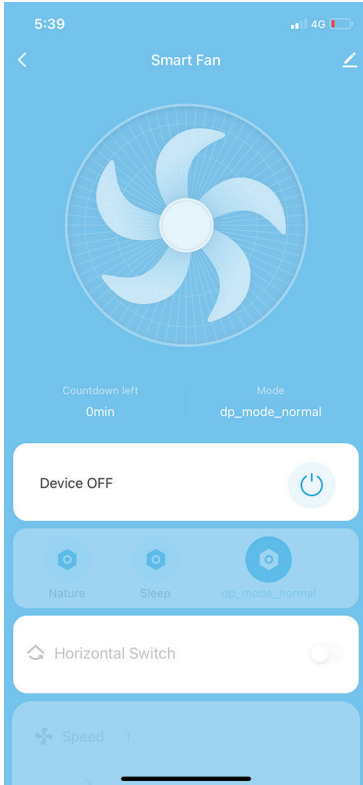
Tap add fan device and follow the instructions to connect your Wi-Fi and fan device.

After connecting successfully you'll have the option to change the name of the device.



## Operating with Wi-Fi cont.

You can now operate the device using the app. A new page should now show in the app showing controls for operating the device.



If the above instructions do not work, check the following and retry steps another time.

1. Fan device is in close proximity to the Wi-Fi router.
2. Ensure the Wi-Fi network is 2.4GHz
3. The Wi-Fi password is correctly entered and the same Wi-Fi network is being used on the mobile device.
4. The fan device is in pairing mode.
5. Check your Wi-Fi for stable internet connection.

If it still isn't working, visit [www.ismartlife.me](http://www.ismartlife.me) for more information and troubleshooting guides. (See end of manual for basic troubleshooting assistance).

## Operating the fan cont.

---

### Oscillate

Oscillation can be easily managed using the control panel, remote or app.

The oscillation range is 90°

### Adjustments: Height Adjustment

The height can be adjusted from between 120-170cm by loosening or tightening the height adjustment knob and moving the motor head to the desired height.



### Adjustments: Vertical Adjustment

Grip the top and bottom of the grille firmly and tilt to the desired position. If you have difficulty adjusting the vertical tilt, loosen the tilt adjustment screw slightly to give you more flexibility and then re-tighten.

## TROUBLESHOOTING

<p>What can I do if pairing fails with my fan device?</p>	<ol style="list-style-type: none"> <li>1. Check to ensure your mobile device is connected to the 2.4GHz Wi-Fi network, refer to below for how to check the Wi-Fi frequency.</li> <li>2. Check password is correctly entered and the mobile is using the same Wi-Fi network.</li> <li>3. Check the fan device is in pairing mode, the LED indicator should be rapidly blinking to indicate pairing mode.</li> <li>4. Check the internet connection is stable and works by testing on a website.</li> </ol> <p>If problems persist, please visit <a href="http://www.ismartlife.me">www.ismartlife.me</a> or contact the Dynabreeze Service Team on 1300 658 494 for further assistance.</p>
<p>Does the fan device support 5GHz wireless connections?</p>	<p>No, 5GHz wireless connection is not currently available for the fan device.</p>
<p>How do I know if my network is under 2.4GHz Wi-Fi?</p>	<p>For iOS users:</p> <ol style="list-style-type: none"> <li>1. Go to your settings and tap Wi-Fi. The suffix of your Wi-Fi network should end in either 2.4G or 5G.</li> <li>2. If you still cannot determine if you are on a 2.4GHz network, you can obtain the information via your router. For more information on this process, please consult your specific router's manufacturer or user manual for more details.</li> </ol> <p>For Android users:</p> <ol style="list-style-type: none"> <li>1. Go to your settings and tap Wi-Fi.</li> <li>2. Tap the connected Wi-Fi network and it will show the Wi-Fi frequency.</li> </ol>
<p>When pairing, should my fan device or mobile be in the same room as the Wi-Fi router?</p>	<p>No, they do not need to be in the same room as long as they are connected to the same Wi-Fi network.</p>
<p>What if I forget my Smart Life app account password details?</p>	<p>If you forget your password, you'll have the opportunity to reset it by tapping 'forgot password' and following the prompts to reset your password.</p>

## WARRANTY

Under the Australian Consumer Law (ACL) or NZ Consumer Guarantees Act (CGA), you are entitled to a 12 month replacement or refund for product failure and compensation for any other reasonably foreseeable loss or damage.

Tradeware offers a 3 Year Warranty. The additional warranties, terms and conditions are outlined on the website [www.dynabreeze.com.au](http://www.dynabreeze.com.au) under the Support tab.

Under Support you can also Register your product upon purchase and enjoy the peace of mind of knowing your product is registered should anything happen.

If the unit fails to operate efficiently, is broken or other problems arise, unplug and do not operate. Ask for advice by calling Tradeware.

To Claim, the fan should be returned to the place of purchase or via the website within the warranty period.

Such claims must include:

- Details of the alleged defect or fault;
- Evidence of the claim; and
- Proof of purchase documentation which clearly shows the date and place of purchase.

Please visit [www.dynabreeze.com.au](http://www.dynabreeze.com.au) for more details



**Tradeware**

### **Tradeware**

45 Birralee Road, Regency Park  
South Australia 5010  
[info@tradeware.com.au](mailto:info@tradeware.com.au)  
1300 658 494  
[www.tradeware.com.au](http://www.tradeware.com.au)

